

APPENDIX: THE GLASS FINDS FROM RAMLA, HẒ STREET

TAMAR WINTER

The excavation on HẒ Street at Ramla yielded some 80 fragmentary glass finds, displaying a rich typological variety. Among the finds are fragments of various bowls, beakers, bottles and lamps from the Early Islamic period, dated mostly from the eighth through the tenth centuries CE (Fig. 1). Many of the vessels have analogous examples from previous excavations at Ramla; to avoid repetition, the references to the glass finds from the excavation north of the city's White Mosque (Gorin-Rosen 2010) are noted in the table of Fig. 1.

Some of the glass vessels unearthed in the excavation on HẒ Street may be associated with the latter part of the Umayyad period, i.e., the eighth century CE (Fig. 1:1–4). These include a disc-shaped stem (Fig. 1:1, and see reconstruction, not to scale), which was probably part of a footed vessel, such as a shallow bowl on a high foot excavated at Ramla and dated to the eighth century CE (Gorin-Rosen 2008:45–46); a base with its characteristic double hollow fold (Fig. 1:2; see Gorin-Rosen 2011: Fig. 15:4), a bottle neck, and a bottle with an exterior fold (Fig. 1:3, 4).

Two bowls, one with a bilateral tonged pattern (Fig. 1:5) and the other with a geometric mold-blown design (Fig. 1:6), are decorated in techniques and patterns typical of the Umayyad and Abbasid periods.

Most of the vessels from the excavation were commonplace, particularly in the ninth and tenth centuries CE, and resemble examples retrieved from previous excavations at Ramla. These include several bottoms (Fig. 1:7–9), probably of cylindrical beakers with cut decorations; a rim and neck fragment (Fig. 1:10) belonging to a bottle or a small jar; bottles with an out-splaying rim (Fig. 1:11, 12); a small quadrangular-sectioned bottle (Fig. 1:13); and at least two elongated blue bottles with an irregularly cut-off rim (Fig. 1:14, 15 and a body fragment from L119 [B1109], not illustrated). An oil lamp with its wick tube intact (Fig. 1:16) resembles a specimen from another excavation at Ramla (Sion 2004: Fig. 18:15).

Several fragments of horseshoe-shaped objects were recovered at the site (from L119 and B1109; L127, B1084, not illustrated due to their small size). The function of these objects is unclear; they may have been a final product or part of the glass-production process. Many horseshoe-shaped objects have been discovered in various excavations at Ramla, where they were probably produced; they are attributed by their fabric and provenances to the Umayyad period, particularly to the eighth century CE (e.g., Katsnelson 2013: Fig. 12:1–3).

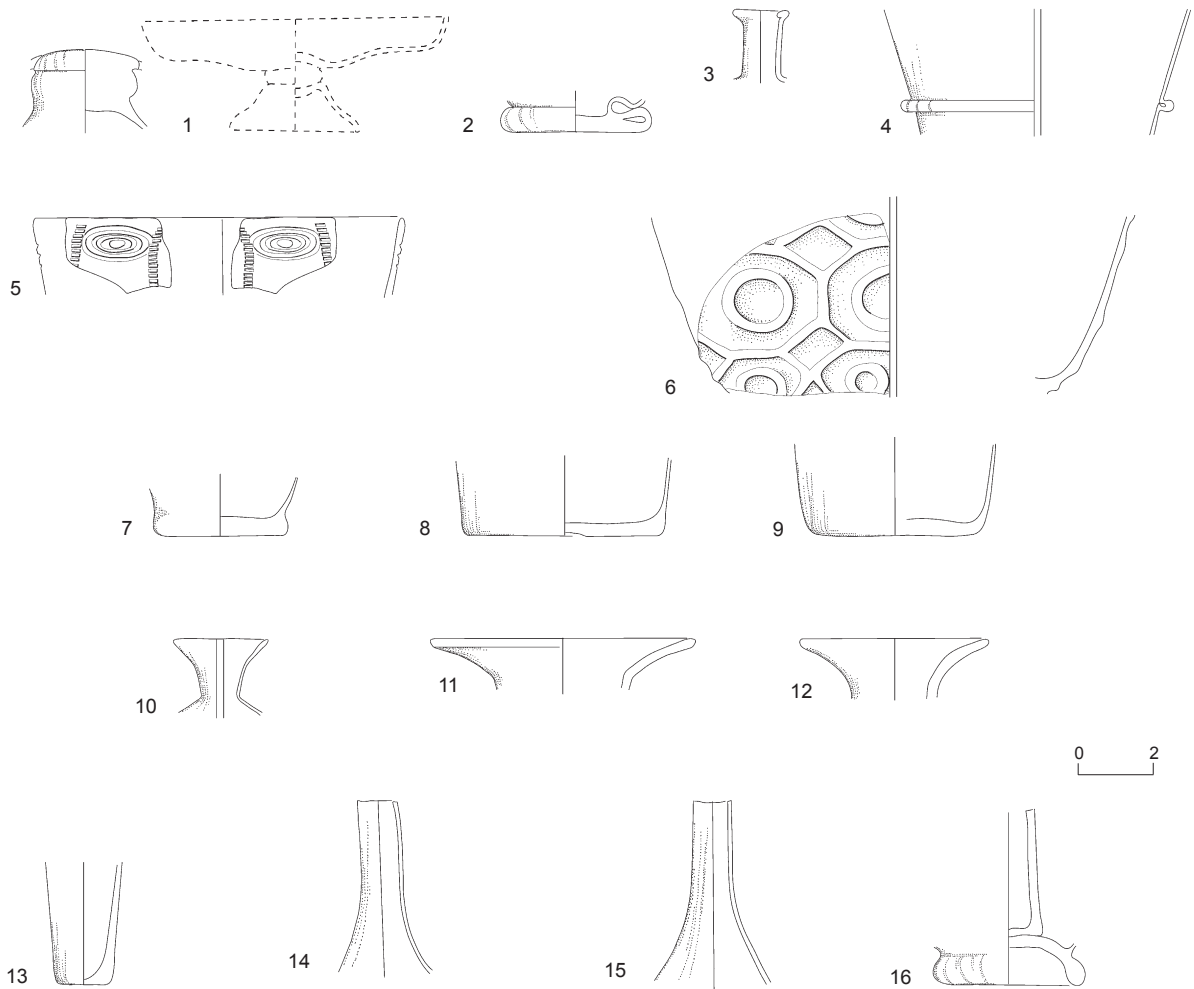


Fig. 1. The glass finds.

No.	Locus	Basket	Vessel	Parallels (Gorin-Rosen 2010)
1	132	1102	Footed vessel	-
2	131	1106	Ring base with a double hollow fold	-
3	141	1155	Bottle	Pls. 10.2:8; 10.6:3
4	146	1129	Bottle	Pl. 10.1:15
5	119	1105	Bowl	Pl. 10.8:2, 5
6	138	1101	Bowl	Pl. 10.9:6
7	138	1101	Beaker	Pl. 10.10:7-9
8	119	1187	Beaker	Pl. 10.10:7-9
9	103	1021	Beaker	Pl. 10.10:7-9
10	142	1166	Bottle or small jar	-
11	119	1187	Bottle	Pl. 10.6:17, 18
12	146	1129	Bottle	Pl. 10.6:17, 18
13	146	1129	Quadrangular-sectioned bottle	Pl. 10.5:4-6
14	142	1166	Elongated bottle	Pl. 10.1:19
15	131	1070	Elongated bottle	Pl. 10.1:19
16	132	1080	Oil lamp	-

REFERENCES

- Gorin-Rosen Y. 2008. Glass Vessels from the Ramla Excavations. *Qadmoniot* 41/135:45–50 (Hebrew).
- Gorin-Rosen Y. 2010. The Islamic Glass Vessels. In O. Gutfeld. *Ramla: Final Report of the Excavations North of the White Mosque* (Qedem 51). Jerusalem. Pp. 213–264.
- Gorin-Rosen Y. 2011. The Glass Finds. In E. Haddad. Ramla, Ha-Nevi'im Nursery School. *HA-ESI* 123 (December 13). http://www.hadashot-esi.org.il/Report_Detail_Eng.asp?id=1898&mag_id=118 (accessed December 10, 2015).
- Katsnelson N. 2013. The Glass Vessels. In R. Toueg. Ramla, Herzl and Ha-Hagana Streets. *HA-ESI* 125 (June 4). http://www.hadashot-esi.org.il/Report_Detail_Eng.asp?id=2254&mag_id=120 (accessed December 10, 2015).
- Sion O. 2004. An Early Islamic Period Settlement in Ramla. *'Atiqot* 46:67–92 (Hebrew; English summary, p. 133*).